

Table Of Contents

1 INTRODUCTION	4
1.1 Audio Features	4
1.2 User Interface	4
2 UNPACKING	4
3 AC POWER REQUIREMENTS	4
4 FRONT PANEL CONTROL FEATURES	5
4.1 Function Keys and Data Wheel	5
4.2 Presets	5
4.3 Input Select	5
4.4 Output Select	5
4.5 LED Indicators	5
4.6 Audio Functions	6
4.6a Gain	6
4.6b EQ	6
4.6c Delay	7
4.6d Crossover	8
4.6e Limit	9
4.7 Other Functions	10
4.7a Recall	10
4.7b Save	10
4.7c Copy	10
4.7d Mute	11
4.7e Utilities	11
4.7f Factory Reset	11
5 AUDIO CONNECTIONS	12
6 TROUBLESHOOTING	12
7 DIMENSIONS	12

8 SPECIFICATIONS 13

9 WARRANTY INFORMATION 14

10 INSTALLATION RECORD 14

The lightning flash with arrowhead symbol, within an equilateral triangle, is intended to alert the user to the presence of uninsulated "dangerous voltage" within the product's enclosure that may be of sufficient magnitude to constitute a risk of electric shock to persons.



CAUTION
RISK OF ELECTRIC SHOCK
DO NOT OPEN



The exclamation point within an equilateral triangle is intended to alert the user to the presence of important operating and maintenance instructions in the literature accompanying the device.

TO REDUCE THE RISK OF ELECTRIC SHOCK, DO NOT REMOVE COVER. NO USER SERVICEABLE PARTS INSIDE. REFER SERVICING TO QUALIFIED SERVICE PERSONNEL.

TO REDUCE THE RISK OF FIRE OR ELECTRICAL SHOCK, DO NOT EXPOSE THIS APPIIANCE TO RAIN OR MOISTURE.

TO REDUCE THE RISK OF FIRE, REPLACE ONLY WITH SAME TYPE FUSE. REFER REPLACEMENT TO QUALIFIED SERVICE PERSONNEL.

**WARNING:
THIS APPARATUS MUST BE EARTHED**

1. INTRODUCTION

Thank you for your purchase of this Ashly Protea 3.24CL Digital Crossover/System Processor. The Protea SYSTEM II series builds on the tradition of quality and value which has earned Ashly its place as a market leader in crossovers, equalization, and signal processing.

Your new 3.24CL is a three input/six output digital signal processor capable of precise control of a broad range of audio functions. The front panel interface allows quick access to all control parameters by offering dedicated function buttons, eliminating the need for hidden sub-menus.

1.1 AUDIO FEATURES

The Protea 3.24CL utilizes state of the art DSP technologies, beginning with 24 bit, 48kHz delta-sigma A/D converters with 128x oversampling. Digital processing includes Gain, Polarity Invert, Parametric EQ, Shelving Filters, Time Delay, Crossover Functions, Compression, Limiting, and Signal Routing, all taking place in twin high performance DSP processors. D/A conversion uses 24 bit delta-sigma converters with 128x oversampling. All inputs and outputs are precision balanced and RF protected using XLR connectors.

1.2 USER INTERFACE

Front Panel Interface: A backlit 2 x 20 character LCD displays channel and function settings. Dedicated buttons provide access to all audio functions and system tools. The display indicates the current preset number, then subsequently shows the selected input or output and its active control parameters. Five segment LED arrays on each input and output provide audio level information and mute status.

2. UNPACKING

As a part of our system of quality control, every Ashly product is carefully inspected before leaving the factory to ensure flawless appearance. After unpacking, please inspect for any physical damage. Save the shipping carton and all packing materials, as they were carefully designed to minimize the possibility of transportation damage should the unit again require packing and shipping. In the event that damage has occurred, immediately notify your dealer so that a written claim to cover the damages can be initiated. The right to any claim against a public carrier can be forfeited if the carrier is not notified promptly and if the shipping carton and packing materials are not available for inspection by the carrier. Save all packing materials until the claim has been settled.

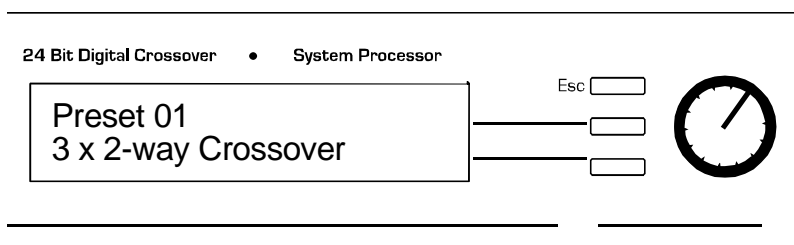
3. AC POWER REQUIREMENTS

Note: The AC power switch for model 3.24CL is on the back panel. The Protea 3.24CL uses a universal input power supply which will accept any line voltage from 80VAC to 260VAC, 50-60Hz, and is resistant to voltage dips, or "brown outs". A standard IEC-320 grounded AC inlet is provided on the rear panel to accept the detachable power cord. **Never remove the AC earth ground connection to the 3.24CL.** In the event of fuse failure, refer the product to a qualified service technician for fuse replacement, replacing only with the same type and rating fuse.

4. FRONT PANEL CONTROL FEATURES

4.1 Function Keys and Data Wheel

To the right of the LCD display are two unlabeled function keys and a rotary data wheel. All audio and system parameters are edited using these three controls. Each of the two lines of text on the LCD display correspond to a dedicated function key, so that various tasks on both lines may be selected using their respective keys. The selected task is highlighted by a flashing underscore beneath the word or number, and the parameter is then adjusted up or down with the data wheel. The Esc key will exit any activity and return to the top level showing the preset number and name.



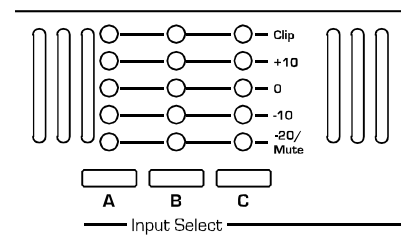
4.2 Presets

The 3.24CL is organized into 30 programmable presets, each completely defining the configuration of all three inputs and six outputs along with their respective audio components. There are ten repeating preset configurations pre-loaded into the 3.24CL which are simply starting points for common applications, and all can be modified, renamed, and saved to suit the end user. **Please Note:** In addition to the 30 preset numbers, a constantly refreshed *Working Preset* is used to take a "snapshot" of all current settings should the unit be turned off before changes can be saved.

When the 3.24CL is first powered up, the last working preset is loaded, displaying the number and name last used before the unit was turned off. Any modifications made to that preset before saving it will remain in the working preset until either the modified preset is saved, or a fresh preset is recalled to the 3.24CL. When modifications to an existing preset are made without saving, the display adds the text **(modified)** after the preset number.

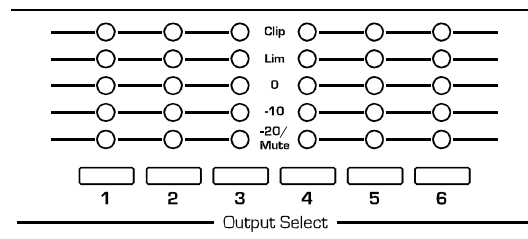
4.3 Input Select

There are three audio inputs to the 3.24CL, and each input is processed independently and may be routed to one or several outputs. Select an input to edit its Gain, EQ, and Delay settings, or to mute it. Signal routing occurs in the output section.



4.4 Output Select

There are six outputs on the 3.24CL, and each output can obtain its source from any input, all inputs, a combinations of inputs A and B, or no input (off). Select an output channel to edit its Source, Gain, Polarity, EQ, Delay, Crossover, or Limiter functions.



4.5 LED Indicators

Each input and output has a five segment LED array for audio level display, ranging from -20 through clipping. The -20 LED is two-color, also serving as the Mute indicator by turning red. The meter scale is factory set so that 0 on the meter is 0dBu (0.775Vrms), however it can be easily changed to VU scale (0 = +4dBu, or 1.228Vrms) within the Util menu.

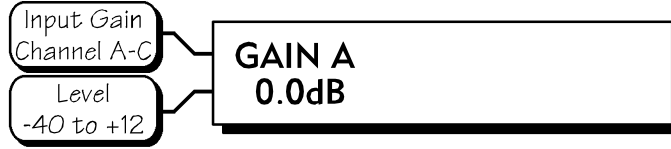
4.6 Audio Functions

4.6a Gain

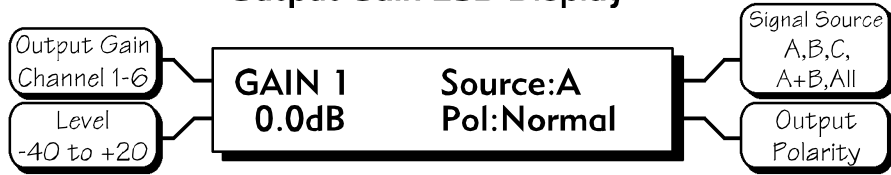
Input and Output Gain are separately adjustable from -40dB to +12dB in 0.1dB increments.

The output gain menu also provides for selection of input source(s) for a given output channel, as well as polarity of the outgoing signal. Input signal sources are A, B, C, A+B, all three inputs combined, or no input (Off). Keep in mind that two signals which share significant content, such as a stereo source, will be up to 6dB louder when combined.

Input Gain LCD Display



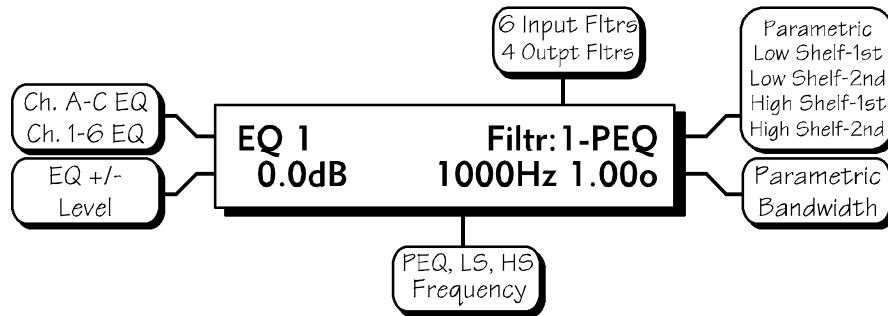
Output Gain LCD Display



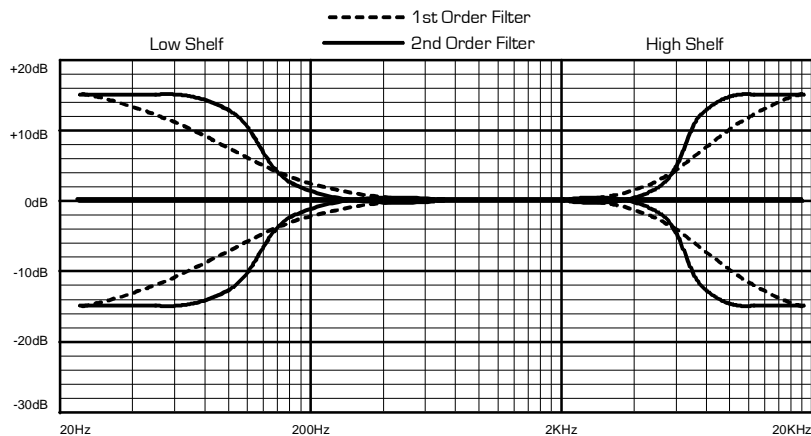
4.6b EQ

The Protea 3.24CL EQ section offers full parametric EQ as well as 1st and 2nd order shelving filters on inputs and outputs. Each input channel has six selectable EQ filters, while each output channel has four selectable EQ filters. In all cases, each filter is selectable between parametric (PEQ), 1st order Low Shelf (LS1), 2nd order Low Shelf (LS2), 1st order High Shelf (HS1), and 2nd order High Shelf (HS2).

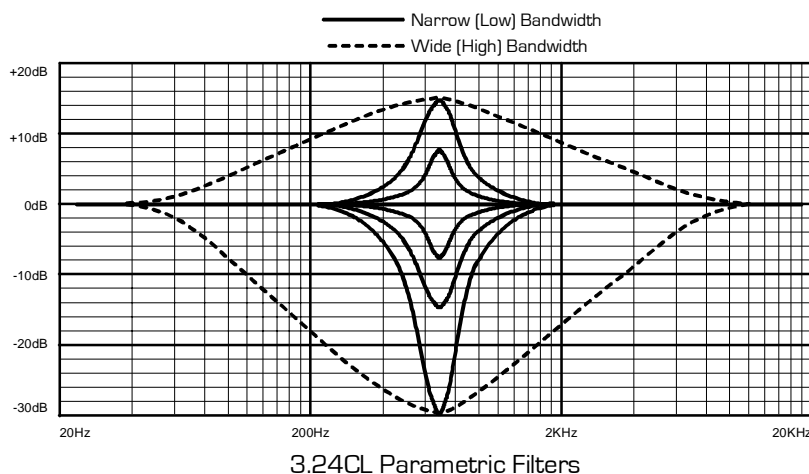
EQ LCD Display



Shelving EQ filters: 1st order filters use a gentle 6dB per octave slope, while 2nd order filters use a 12dB per octave slope for more a pronounced boost or cut. All shelving filters have a boost/cut range of +/-15dB. Low shelving filters have a frequency range from 19.7Hz through 2kHz, and the high shelving filters range from 3.886kHz through 21.9kHz. Shelving filters are most useful as broad tone controls to boost or cut the high end or low end of an audio signal's frequency content. Because they affect a wider spectrum of audio, they are not as suitable for feedback control as parametric filters.



Parametric EQ (PEQ) uses peak filters with the ability to control boost or cut, frequency center, and bandwidth. Think of one band of parametric EQ as a single graphic equalizer fader except that the frequency is variable, not fixed, and that the bandwidth, or how "wide" the filter affects the frequency spectrum at the center frequency, is completely variable. The smaller the bandwidth, the less the audio signal on either side of the frequency center is boost or cut, whereas a larger "wider" bandwidth produces an audible change to the overall tone of a signal. Parametric filters are best used to hunt down and eliminate problem feedback frequencies, add or remove a characteristic "hot spot" from microphones, or clean up room resonance situations. It is well worth the time getting proficient with parametric EQ filters, as they offer the best solution to many EQ problems.



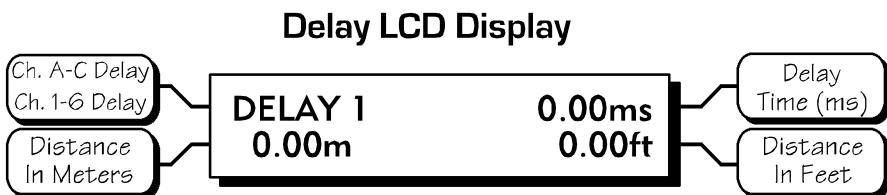
Protea 3.24CL parametric filters have a boost/cut range of +15dB to -30dB. There is more cut than boost because one of the more common uses for parametric filters is to dramatically cut, or "notch out", very narrow frequencies (low bandwidth) in order to eliminate system feedback problems.

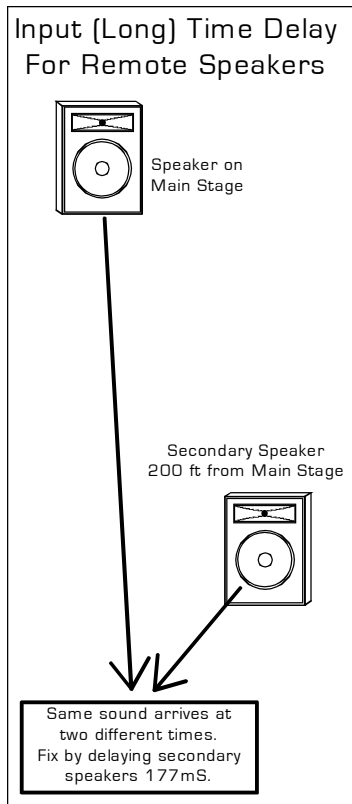
Every instance of a parametric EQ filter has a center frequency selected. The factory default is 1kHz, but each filter's center frequency is adjustable from 19.7Hz to 21.9kHz in 1/24 octave steps. Carefully sweeping a narrow bandwidth filter through a problem feedback area, with just a slight boost, is a quick way to find the exact frequency causing trouble. Once the offensive frequency has been found, cut the filters level, and then the bandwidth is adjusted as narrow as possible while still eliminating the feedback problem. Bandwidth is adjustable from about 1/64 octave to four octaves, and the lower the bandwidth, the less audible the filter action will be. Finding the problem frequency is relatively easy, but finding the best combination of cut and bandwidth takes a little practice. Again, it is well worth the time becoming comfortable with the notching procedure, so that problems can be quickly addressed with a sufficient but minimal amount of correction.

The EQ functions on all three inputs and six outputs are switched in or out on an individual channel basis. In other words, each input or output has one "switch" for all of its EQ filters. If certain filters are not going to be used within a channel, simply leave the gain for that filter at 0.0dB, and the filter will have no effect.

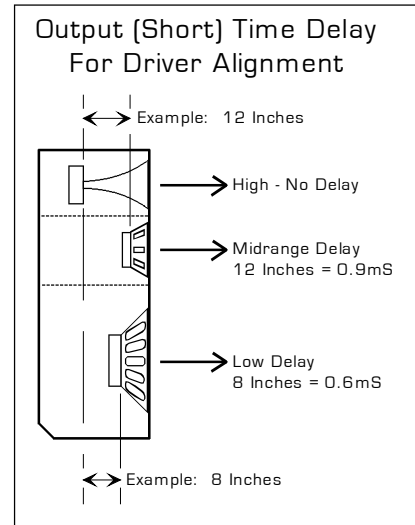
4.6c Delay

In large installations or outdoor venues there are often many speaker clusters in various locations to get the best coverage possible. Since sound travels relatively slow through air (1130 ft/s at 20°C), multiple loudspeaker locations can create a situation where the original audio signal, simultaneously leaving all loudspeakers, arrives at a single point in the venue at several different times. Needless to say this causes problems, and what may be crystal clear sound directly in front of any one loudspeaker can be unintelligible in the farther reaches of the venue with direct line-of-sound to multiple loudspeakers. The solution is to delay the audio signal to the loudspeakers located beyond the main stage area, so that sound comes out of the distant loudspeakers at the exact time that sound from the main stage loudspeakers arrives. Within the Protea 3.24CL, up to 682 milliseconds of time delay are available on each input channel, allowing secondary loudspeaker clusters to be time aligned with the primary speakers up to 771 feet (235m) away from the main stage area.





Output channels have time delay as well, but much less than the inputs. This is because output delay is best used to align discrete drivers within a speaker cabinet or cluster, normally quite close together. For example, a typical three way speaker cluster would have low end, midrange, and high frequency drivers all located near one another. The different drivers for each frequency band are not necessarily the same physical depth with respect to the front of the loudspeaker cluster, so there exists the problem of same signals (at the crossover points) arriving at the cluster "front" at different times, creating undesirable wave interaction and frequency cancellation. The solution, again, is to slightly delay the signal to the drivers closest to the cluster front. Using the location of the driver diaphragm farthest back as a reference point, measure the distance to other drivers in the cluster, and set the output delay for each accordingly, with the driver diaphragm closest to the front getting the longest delay and the driver at the very back getting no output delay. Note: Although delay in the 3.24CL is adjusted only by time, the corresponding distance in both feet and meters is always shown as well.



4.6d Crossover (Xover)

Crossover functions on the Protea 3.24CL are available only on the six output channels. Every channel's crossover consists of a high pass filter (HPF) and a low pass filter (LPF), along with the frequencies and filter types used. Each output's crossover section is essentially a bandpass filter, making it necessary for the user to map out ahead of time which outputs will be used for the various frequency bands, and set the overlapping filter frequencies and types accordingly. *Note: The HPF determines the lower frequency limit of the signal, while the LPF determines the upper frequency limit.*

Crossover LCD Display



The frequency range for the high pass filter (HPF) is from 19.7Hz to 21.9kHz, with an option to turn the filter off at the low end of the frequency selection. The low pass filter (LPF) offers the same frequency range, with the "off" option at the high end of the frequency selection.

There are eleven types of filters available in the crossover section, each suited to a specific preference or purpose. The slope of each filter type is defined by the first characters in the filter type, 12dB, 18dB, 24dB, or 48dB per octave. The steeper the slope, the more abruptly the "edges" of the pass band will drop off. There is no best filter slope for every application, so experiment to see which one sounds most pleasing in a specific system. Ashly factory default presets use all 24dB/octave Linkwitz-Riley filters in the crossover section, but of course they can be changed to suit the application.

In addition to the frequency and slope, crossover filters can be selected as having Butterworth, Bessel, or Linkwitz-Riley response. These refer to the shape of a filter's slope at the cut-off frequency, affecting the way two adjacent pass bands interact at the crossover point. 24db/octave Linkwitz-Riley filters produce a flat transition through the crossover region, assuming both overlapping filters are set to the same frequency, slope, and response type.

24dB/oct Linkwitz-Riley filters are the industry standard, the easiest to use, and the filter type recommended by Ashly. Other filter types are available, but may require polarity switching or other adjustments for proper results. The following paragraphs offer a summary of the three filter types as used in the 3.24CL crossovers.

Butterworth

Butterworth filters individually are always -3dB at the displayed crossover frequency and are used because they have a "maximally flat" passband and sharpest transition to the stopband. When a Butterworth HPF and LPF of the same crossover frequency are summed, the combined response is always +3dB. With 12dB per octave Butterworth crossover filters, one of the outputs must be inverted or else the combined response will result in a large notch at the crossover frequency.

Bessel

These filters, as implemented on the 3.24CL, are always -3dB at the displayed crossover frequency. Bessel filters are used because they have a maximally flat group delay. Stated another way, Bessel filters have the most linear phase response. When a Bessel HPF and LPF of the same crossover frequency are summed, the combined response is +3dB for 12dB/oct, 18dB/oct, and 48dB/oct Bessel filters, and -2dB for 24dB/oct Bessel filters. One of the outputs must be inverted when using either 12dB/oct or 18dB/oct Bessel crossover filters or else the combined response will have a large notch.

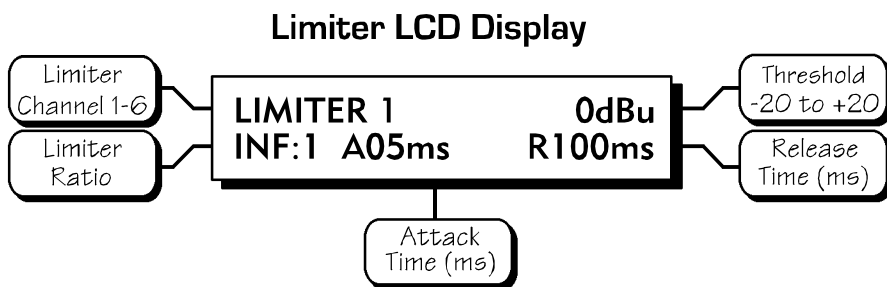
Linkwitz-Riley

The 12 dB/oct, 24dB/oct and 48dB/oct Linkwitz-Riley filters individually are always -6dB at the displayed crossover frequency, however the 18dB/oct Linkwitz filters individually are always -3dB at the displayed crossover frequency. The reason for this is that Linkwitz-Riley filters are defined in terms of performance criterion on the summing of two adjacent crossover HPF and LPF filters, rather than defined in terms of the pole-zero characteristics of individual filters. The 18dB/oct Linkwitz-Riley individually are 18dB/oct Butterworth filters in that they have Butterworth pole-zero characteristics and also satisfy the criterion for Linkwitz-Riley filters.

When a Linkwitz-Riley HPF and LPF of the same displayed crossover frequency are summed, the combined response is always flat. With 12dB/oct Linkwitz-Riley crossover filters, one of the outputs must be inverted or else the combined response will have a large notch at the crossover frequency.

4.6e Limit

A full function compressor/limiter is included on each output channel. A limiter is commonly used to prevent transient audio signal spikes from damaging loudspeakers, manage analog and digital recording levels, optimize broadcast levels, or "thicken" the sound of an audio source (compression). The adjustable parameters include Limiter In/Out, Limiter Threshold, Ratio, Attack Time, and Release Time.



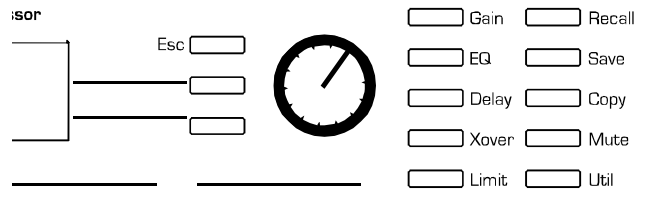
The 3.24CL limiter threshold range is from -20dBu to +20dBu. This setting determines the signal level above which gain reduction begins, and is indicated by the yellow LED (Lim) in the output meter section. Increases in audio level above the threshold will be reduced according to the ratio settings.

The ratio control determines the amount of gain reduction above limiter threshold. Ratio ranges from a gentle 1.2:1 to a brick-wall INF:1. To illustrate how the ratio control works, imagine a commonly used loudspeaker protection ratio of 10:1, which means that for every input signal increase of 10 dB above threshold, the output level will only increase by 1dB. The higher the ratio, the more pronounced the audio effect, so use the lowest ratio possible to sufficiently address the problem.

Attack (A__ms) and Release (R__ms) settings adjust the time it takes the limiter to engage and then disengage when the signal increases above threshold and then subsequently falls back below threshold. Attack time is adjustable from 0.5ms through 50ms, while release time ranges from 10ms through 1s. A very fast attack time can sound unnatural, while a very long attack time can miss some of the initial transient. Similarly, a very short release time can make the audio sound uneven, while a very long release time can create "pumping", or "breathing" characteristics depending on the kind of signal. Experiment to find the best solution for a given application.

4.7 Other Functions

The Protea 3.24CL has a full complement of non-audio functions within a single keystroke to navigate around the product quickly. Recall, Save, Copy, Mute, and a Utilities menu complete the user interface.



4.7a Recall

There are 30 stored presets which can be recalled on the 3.24CL. Note: A preset recall will overwrite the working settings, so make sure the current configuration is saved before continuing or it will be lost. Remember, an unsaved working preset shows (**modified**) on the preset name screen. Press Esc to see the preset name screen. The 3.24CL always loads the working preset on power-up, so as to preserve any changes should the power be inadvertently turned off prior to saving.

Ashly includes 10 default preset templates in the 3.24CL as starting points for common configurations. These first 10 presets repeat from 11 to 20, and again from 21 to 30, and can be edited and saved as desired. To recall a new preset, press the recall button once, select the desired preset number, and press recall again. At this point the LCD display prompts the user to mute the outputs or not, and selecting Yes or No will load the new preset and mute all outputs if so desired. *A new preset may have dramatically different settings capable of damaging sound system components, so be careful not to recall the wrong preset while the system is on.* To be safe, always select "Yes" to mute all outputs.

4.7b Save

Once the 3.24CL has been adjusted to suit the application, the changes can be permanently saved to memory*. To save a new configuration or save changes to an existing preset template, begin the process by pressing the Save button once. The LCD display prompts for the new (or same) preset number, and after selecting the desired number press Save again. At this point the name of the preset can be changed by selecting any one of the 20 text characters and scrolling through the list of 89 available ASCII characters for each. Pressing the Save button again permanently stores the working preset to the new preset location.

**Note: performing a Factory Reset will erase all user presets and replace them with the ten original Ashly preset templates.*

4.7c Copy

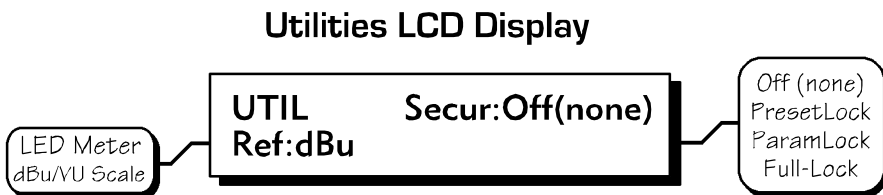
The Copy function is used to quickly transfer all settings from a currently selected input or output to another input or output channel. An example of how this might be used is with stage monitors. Suppose there are six monitor mixes on stage, and they all use the same type of floor wedge. The first monitor could be set up with Gain, EQ, and Limiting, then those settings could be quickly copied to the remaining five monitors, providing a consistent starting point for each mix. To copy, first select the input/output to copy from, then press the Copy button, then press the input/output to copy to, pressing the Copy button a second time to complete the action.

4.7d Mute

The Protea 3.24CL allows the user to mute both inputs and outputs. When muted, an input or output's red Mute LED is lit. When an input or output is selected, pressing the Mute button will toggle its mute function. To quickly mute all outputs, escape out to the top level preset display, then press the Mute button, pressing it a second time to confirm. Additionally, when recalling a new preset number to the 3.24CL, the LCD display prompts the user to mute all outputs, as a new preset can introduce dramatic changes to the system configuration.

4.7e Util

The Protea 3.24CL utilities include a security section for password protected lockout, and a dBu/VU meter preference select.



Security

There are four security modes in the 3.24CL. Off (default), Preset Lock, Parameter Lock, and Full Lockout offer varying degrees of protection to the 3.24CL system.

- 1.) Off (none) allows full access to all controls.
- 2.) Preset Lock allows full access while disabling the save function.
- 3.) Parameter Lock allows the user to recall different presets, but allows no changes other than mute.
- 4.) Full Lockout allows absolutely no local changes, but allows viewing of current settings.

To access the security menu, first press the Util button, then select the Security display line on the LCD. Use the data wheel to select from the four security levels. If the unit is brand new and has never had a security code, or has had a factory reset, a four digit code must first be entered before changing security status. Use the output select buttons 1-6 (recommended) or the data wheel (0-9) to enter a new code, then press Enter on the LCD. The LCD then prompts the user to either change the code to a new four digit number, or change the Security status to one of the other three options.

The only way to fully remove a security code once it has been entered is with a factory reset. This is done by turning the power on while pressing Esc and Recall together, returning all settings, **including user defined presets**, to their original factory settings. *Note: In the event the four digit security code is forgotten, turn the 3.24CL on while pressing both the Esc and Util buttons.*

dBu/VU Meter Select

The input and output meter scale is factory set so that a green LED flashing at 0 indicates a signal level of 0dBu, or 0.775Vrms. To change this to a VU scale, where 0VU = +4dBu (1.228Vrms), select the <Ref:> option in the Util menu to VU.

4.7f Factory Reset

To clear all preset names, reset all controls to their original factory settings, and delete the password from memory, Factory Reset may be performed by *simultaneously pressing and holding Esc and Recall* while switching power on. **Caution: doing this will erase all user-defined presets!**

5. AUDIO CONNECTIONS

All Protea 3.24CL audio connections use three pin XLR jacks, with pin 2 (+), pin 3 (-), and pin 1(G). Inputs and outputs are electronically precision balanced. If an unbalanced signal is fed to an input, the signal should be on the (+) connection (pin 2) and pin 3 must be tied to ground, or significant signal loss will result. In other words, never float pin 2 or pin 3. It is strongly recommended that balanced signals be used whenever possible.

A Note About Input Signal Levels:

There are no analog gain trim adjustments on the Protea 3.24CL, therefore all the processing (including gain) is done in the digital domain. As a consequence of this design philosophy, it is important to feed the Protea processor with the proper nominal signal level to achieve good signal to noise performance as well as headroom before clipping. The Protea 3.24CL is designed to clip at signal levels above +20dBu = 7.75Vrms which places the noise floor lower than -90dBu. The optimum input signal level which should be fed into the Protea processor is 0dBu = .775Vrms. This input level will allow 20dB of headroom while giving a nominal signal that is >90dB above the noise floor.

6. TROUBLESHOOTING

6.1 - Audio Troubleshooting Tips

No power - Is the detachable AC cord fully plugged in? Is the rear panel power switch on?

Controls don't work - check the Security Level. If set to Full Lockout, then Protea unit is "view only". Change security settings in Util menu.

No sound - Check to see if the input or output is muted. Is the input or output Gain turned down? Check the selected audio source(s) for each output, making sure there is signal applied to the designated input(s). If the crossover is used, make sure the high pass filter (HPF) is set to a lower frequency than the low pass filter (LPF).

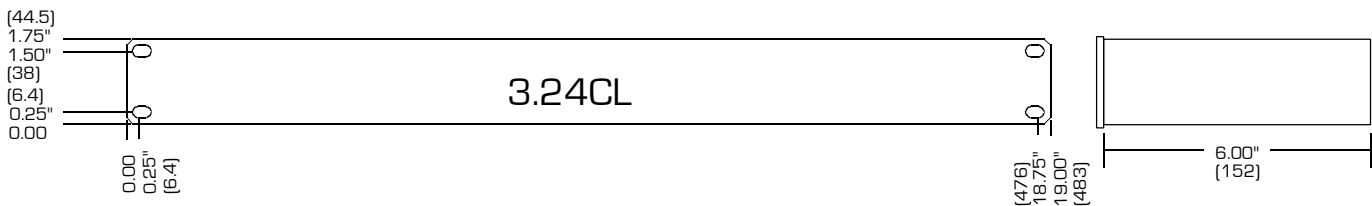
Clip light stays on - Is the input signal level too high? Check to see that the nominal input level is 0dBu, allowing 20dB of input headroom. Are input or output gain settings too high? Check to see if an EQ filter has too much boost.

Distorted sound but no Clip LED- Check individual EQ filters to see if there is excessive boost.

Muffled sound - If expecting full range audio on an output, make sure the crossover settings are not inadvertently set so as to limit the pass band.

Excessive Noise - An input signal level or an input gain setting that is too low could require the loss to be made up for at the output gain stage, producing more noise than a properly set up gain structure. Do not use the 3.24CL for dramatic increases in level, but rather optimize the signal source for a nominal 0dBu output.

7. DIMENSIONS



8. SPECIFICATIONS

Input	Active Balanced, 18K Ω
Max. Input Level	+20dBu
Input Gain Range	-40dB to +12dB
Output	Active Balanced, 112 Ω
Max. Output Level	+20dBu
Output Gain Range	-40dB to +12dB
EQ	
EQ Filter Types	1st or 2nd Order High or Low Shelf, Parametric
Shelving Filter Boost/Cut Range	\pm 15dB
Shelving Filter Frequency Range	Low Shelf 19.7Hz to 2kHz, High Shelf 3.8kHz to 21.9kHz
Parametric Filter Boost/Cut Range	+15dB/-30dB
Parametric Filter Frequency Range	19.7Hz to 21.9kHz, 1/24 Octave Steps
Parametric Filter Bandwidth	Four Octaves to 1/64 Octave
Delay	
Input Delay	0-682 milliseconds
Output Delay	0-21.3 milliseconds
Crossover	
HPF and LPF Frequency Range	19.7Hz to 21.9kHz, Off
Available Filter Types	12dB/Oct Butterworth, 12dB/Oct Bessel, 12dB/Oct Linkwitz-Riley
.....	18dB/Oct Bessel, 18dB/Oct Linkwitz-Riley
.....	24dB/Oct Butterworth, 24dB/Oct Bessel, 24dB/Oct Linkwitz-Riley
.....	48dB/Oct Butterworth, 48dB/Oct Bessel, 48dB/Oct Linkwitz-Riley
Limiter	
Threshold Range	-20dBu to +20 dBu
Ratio Range	1.2:1 to INF:1
Attack Time Range	0.5ms to 50ms
Release Time Range	10ms to 1 Second
Frequency Response	20Hz to 20KHz, \pm 0.25dB
THD	<0.01% @ 1KHz, +20dBu
Dynamic Range	>110dB 20Hz - 20KHz unweighted
Audio Sampling Rate	48KHz
Propagation Delay	1.46mS
Signal LEDs & Clip	Inputs: -20/Mute, -10, 0, +10, Clip (dBu or VU)
.....	Outputs: -20/Mute, -10, 0, Limit Threshold, Clip (dBu or VU)
AC Requirements	Universal Power Supply, 80-260VAC, 50/60Hz, 30W max
Environmental	40°F - 120°F (4°C-49°C) Non-condensing
3.24CL Weight	9 Lbs (4kg)

9. WARRANTY INFORMATION

The unit you have just purchased is protected by a limited five-year warranty . To establish the warranty, be sure to read completely, fill out and return the warranty card that came with your product. Fill out the information below for your records.

Model Number _____ Serial Number _____ Dealer _____

Date of Purchase _____ Dealer's Address _____

Dealer's Phone _____ Salesperson _____

10. PROTEA 3.24CL INSTALLATION RECORD

Installation _____ Installed by _____ Date _____

Venue Contact _____ Phone No. _____ Address _____

Description of System _____

3.24CL Preset Information: _____ **Preset No.** _____ **Preset Name** _____

Input A:	Input Gain _____		Input Delay _____		
Input EQ	EQ Filter no. 1	Filter Type _____	Frequency _____	Boost/Cut _____	Bandwidth(PEQ) _____
	EQ Filter no. 2	Filter Type _____	Frequency _____	Boost/Cut _____	Bandwidth(PEQ) _____
	EQ Filter no. 3	Filter Type _____	Frequency _____	Boost/Cut _____	Bandwidth(PEQ) _____
	EQ Filter no. 4	Filter Type _____	Frequency _____	Boost/Cut _____	Bandwidth(PEQ) _____
	EQ Filter no. 5	Filter Type _____	Frequency _____	Boost/Cut _____	Bandwidth(PEQ) _____
	EQ Filter no. 6	Filter Type _____	Frequency _____	Boost/Cut _____	Bandwidth(PEQ) _____

Input B:	Input Gain _____		Input Delay _____		
Input EQ	EQ Filter no. 1	Filter Type _____	Frequency _____	Boost/Cut _____	Bandwidth(PEQ) _____
	EQ Filter no. 2	Filter Type _____	Frequency _____	Boost/Cut _____	Bandwidth(PEQ) _____
	EQ Filter no. 3	Filter Type _____	Frequency _____	Boost/Cut _____	Bandwidth(PEQ) _____
	EQ Filter no. 4	Filter Type _____	Frequency _____	Boost/Cut _____	Bandwidth(PEQ) _____
	EQ Filter no. 5	Filter Type _____	Frequency _____	Boost/Cut _____	Bandwidth(PEQ) _____
	EQ Filter no. 6	Filter Type _____	Frequency _____	Boost/Cut _____	Bandwidth(PEQ) _____

Input C:	Input Gain _____		Input Delay _____		
Input EQ	EQ Filter no. 1	Filter Type _____	Frequency _____	Boost/Cut _____	Bandwidth(PEQ) _____
	EQ Filter no. 2	Filter Type _____	Frequency _____	Boost/Cut _____	Bandwidth(PEQ) _____
	EQ Filter no. 3	Filter Type _____	Frequency _____	Boost/Cut _____	Bandwidth(PEQ) _____
	EQ Filter no. 4	Filter Type _____	Frequency _____	Boost/Cut _____	Bandwidth(PEQ) _____
	EQ Filter no. 5	Filter Type _____	Frequency _____	Boost/Cut _____	Bandwidth(PEQ) _____
	EQ Filter no. 6	Filter Type _____	Frequency _____	Boost/Cut _____	Bandwidth(PEQ) _____

Output 1: Source _____ Output Gain _____ Polarity _____ Output Delay _____
 Output EQ EQ Filter no. 1 Filter Type _____ Frequency _____ Boost/Cut _____ Bandwidth(PEQ) _____
 EQ Filter no. 2 Filter Type _____ Frequency _____ Boost/Cut _____ Bandwidth(PEQ) _____
 EQ Filter no. 3 Filter Type _____ Frequency _____ Boost/Cut _____ Bandwidth(PEQ) _____
 EQ Filter no. 4 Filter Type _____ Frequency _____ Boost/Cut _____ Bandwidth(PEQ) _____
 Crossover HPF Frequency _____ Filter Type _____ Crossover LPF Frequency _____ Filter Type _____
 Limiter Threshold _____ Ratio _____ Attack Time _____ Release Time _____

Output 2: Source _____ Output Gain _____ Polarity _____ Output Delay _____
 Output EQ EQ Filter no. 1 Filter Type _____ Frequency _____ Boost/Cut _____ Bandwidth(PEQ) _____
 EQ Filter no. 2 Filter Type _____ Frequency _____ Boost/Cut _____ Bandwidth(PEQ) _____
 EQ Filter no. 3 Filter Type _____ Frequency _____ Boost/Cut _____ Bandwidth(PEQ) _____
 EQ Filter no. 4 Filter Type _____ Frequency _____ Boost/Cut _____ Bandwidth(PEQ) _____
 Crossover HPF Frequency _____ Filter Type _____ Crossover LPF Frequency _____ Filter Type _____
 Limiter Threshold _____ Ratio _____ Attack Time _____ Release Time _____

Output 3: Source _____ Output Gain _____ Polarity _____ Output Delay _____
 Output EQ EQ Filter no. 1 Filter Type _____ Frequency _____ Boost/Cut _____ Bandwidth(PEQ) _____
 EQ Filter no. 2 Filter Type _____ Frequency _____ Boost/Cut _____ Bandwidth(PEQ) _____
 EQ Filter no. 3 Filter Type _____ Frequency _____ Boost/Cut _____ Bandwidth(PEQ) _____
 EQ Filter no. 4 Filter Type _____ Frequency _____ Boost/Cut _____ Bandwidth(PEQ) _____
 Crossover HPF Frequency _____ Filter Type _____ Crossover LPF Frequency _____ Filter Type _____
 Limiter Threshold _____ Ratio _____ Attack Time _____ Release Time _____

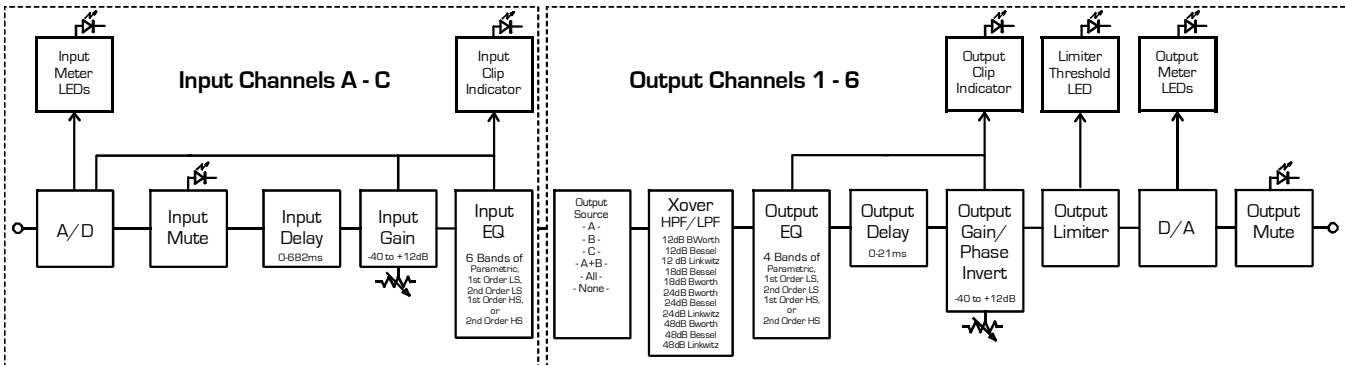
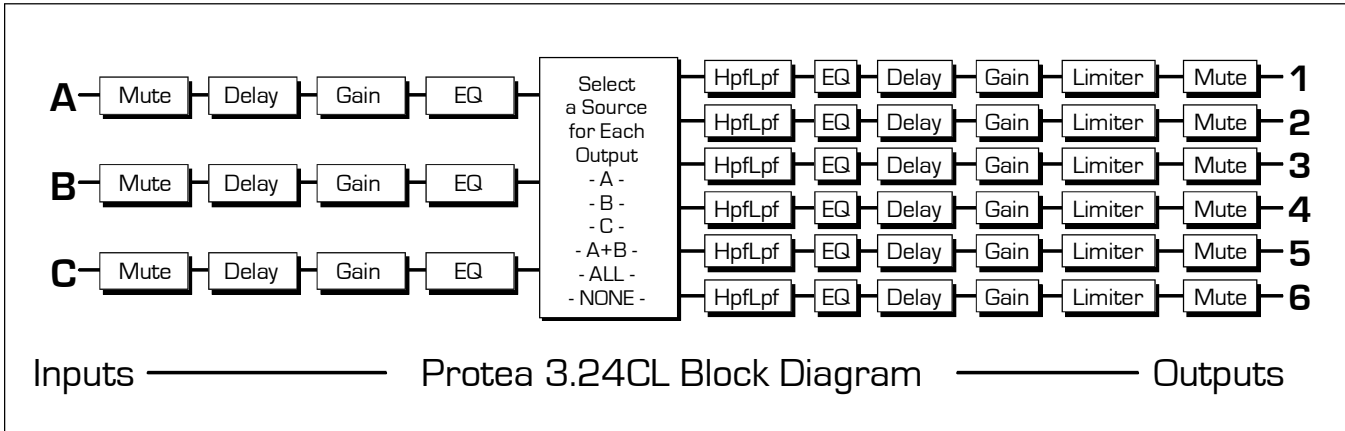
Output 4: Source _____ Output Gain _____ Polarity _____ Output Delay _____
 Output EQ EQ Filter no. 1 Filter Type _____ Frequency _____ Boost/Cut _____ Bandwidth(PEQ) _____
 EQ Filter no. 2 Filter Type _____ Frequency _____ Boost/Cut _____ Bandwidth(PEQ) _____
 EQ Filter no. 3 Filter Type _____ Frequency _____ Boost/Cut _____ Bandwidth(PEQ) _____
 EQ Filter no. 4 Filter Type _____ Frequency _____ Boost/Cut _____ Bandwidth(PEQ) _____
 Crossover HPF Frequency _____ Filter Type _____ Crossover LPF Frequency _____ Filter Type _____
 Limiter Threshold _____ Ratio _____ Attack Time _____ Release Time _____

Output 5: Source _____ Output Gain _____ Polarity _____ Output Delay _____
 Output EQ EQ Filter no. 1 Filter Type _____ Frequency _____ Boost/Cut _____ Bandwidth(PEQ) _____
 EQ Filter no. 2 Filter Type _____ Frequency _____ Boost/Cut _____ Bandwidth(PEQ) _____
 EQ Filter no. 3 Filter Type _____ Frequency _____ Boost/Cut _____ Bandwidth(PEQ) _____
 EQ Filter no. 4 Filter Type _____ Frequency _____ Boost/Cut _____ Bandwidth(PEQ) _____
 Crossover HPF Frequency _____ Filter Type _____ Crossover LPF Frequency _____ Filter Type _____
 Limiter Threshold _____ Ratio _____ Attack Time _____ Release Time _____

Output 6: Source _____ Output Gain _____ Polarity _____ Output Delay _____
 Output EQ EQ Filter no. 1 Filter Type _____ Frequency _____ Boost/Cut _____ Bandwidth(PEQ) _____
 EQ Filter no. 2 Filter Type _____ Frequency _____ Boost/Cut _____ Bandwidth(PEQ) _____
 EQ Filter no. 3 Filter Type _____ Frequency _____ Boost/Cut _____ Bandwidth(PEQ) _____
 EQ Filter no. 4 Filter Type _____ Frequency _____ Boost/Cut _____ Bandwidth(PEQ) _____
 Crossover HPF Frequency _____ Filter Type _____ Crossover LPF Frequency _____ Filter Type _____
 Limiter Threshold _____ Ratio _____ Attack Time _____ Release Time _____

Utility Settings:

Security On/Off _____ Password _____ dBu/VU Meter Scale _____



ASHLY AUDIO INC. 847 Holt Road Webster, NY 14580-9103

Phone: (585) 872-0010 Fax: (585) 872-0739

Toll Free (800) 828-6308 www.ashly.com

© 2004 by Ashly Audio Corporation. All rights reserved worldwide.