



## INA-1 Inline RS-232 Adapter

### Purpose:

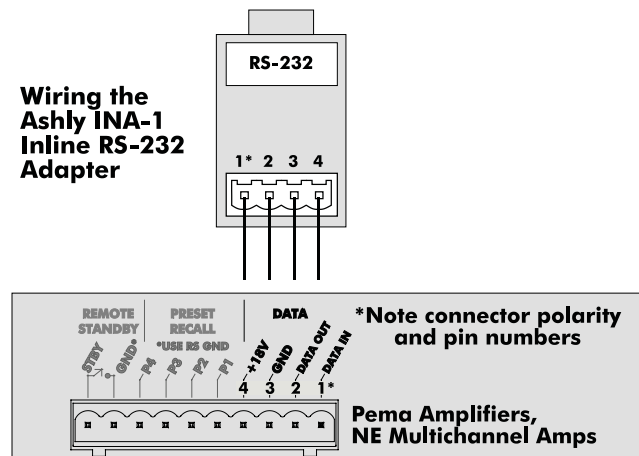
The Ashly Inline RS-232 Adapter exists to allow Ashly Products that do not have an RS-232 port, but do have the WR-5 data control input and output connections, to be connected to RS-232 control systems. The preferred method to control Protea NE products is with either TCP or UDP via Ethernet, however this may not always be possible in some installations where a non-Ethernet control system is used.



### Usage:

To use the Ashly Inline RS-232 Adapter with a non RS-232 capable Ashly product, wire the adapter euroblock connector labelled 1-4 to the DATA port pins 1-4 on the back panel of the Ashly product. The pins should be wired 1 to 1, 2 to 2, 3 to 3, 4 to 4. Then wire the RS-232 side of the adapter to the control system via normal straight through RS-232 cable. (DO NOT USE A NULL MODEM CABLE). If a longer distance is required, that distance should be made on the data port (euroblock) side of the adaptor, up to 1,000 ft (304m). The RS-232 side should be kept to normal RS232 lengths.

### Wiring the Ashly INA-1 Inline RS-232 Adapter



### Control System Interface/Programming:

The DATA port supports “Ashly WR Wall Remote Additions” messages, found in the NE RS-232 Protocol document available from Ashly at:

<http://www.ashly.com/downloads.html>

# Ashly Audio Inc. LIMITED WARRANTY (USA ONLY)

**(Other countries please contact your respective distributor or dealer.)**

For units purchased in the USA, warranty service for this unit shall be provided by ASHLY AUDIO, INC. in accordance with the following warranty statement.

ASHLY AUDIO, INC. warrants to the owner of this product that it will be free from defects in workmanship and materials for a period of FIVE years from the original-date-of-purchase. ASHLY AUDIO INC. will without charge, repair or replace at its discretion, any defective product or component parts upon prepaid delivery of the product to the ASHLY AUDIO, INC. factory service department, accompanied with a proof of original-date-of-purchase in the form of a valid sales receipt. This warranty gives you specific legal rights, and you may also have other rights, which vary from state to state.

**EXCLUSIONS:** This warranty does not apply in the event of misuse, neglect, or as a result of unauthorized alterations or repairs made to the product. This warranty is void if the serial number is altered, defaced, or removed. ASHLY AUDIO, INC. reserves the right to make changes in design, or make additions to, or improvements upon, this product without any obligation to install the same on products previously manufactured.

Any implied warranties, which may arise under the operation of state law, shall be effective only for FIVE years from the original-date-of-purchase of the product. ASHLY AUDIO, INC. shall be obligated to only correct defects in the product itself. ASHLY AUDIO, INC. is not liable for any damage or injury, which may result from, or be incidental to, or a consequence of, such defects. Some states do not allow limitations on how long an implied warranty lasts, or the exclusion, or limitation of incidental or consequential damages, so the above limitations or exclusions may not apply to you.

## **OBTAINING WARRANTY SERVICE:**

**For warranty service in the United States, please follow this procedure:**

1) Return the product to ASHLY AUDIO, INC. freight prepaid, with a written statement describing the defect and application that the product is used in. ASHLY AUDIO, INC. will examine the product and perform any necessary service, including replacement of defective parts, at no further cost to you.

2) Ship your product to:

ASHLY AUDIO, INC.  
Attention: Service Department  
847 Holt Road  
Webster, NY 14580-9103

Ashly Audio Inc 847 Holt Rd Webster NY 14580  
585-872-0010 toll free 800-828-6308 fax 585-872-0739 [www.ashly.com](http://www.ashly.com)

© 2011 by Ashly Audio Corporation. All rights reserved worldwide. INA-1 R-2 05-11

